

## DESK MOUNT ARTICULATING (DMAG-600A)

### SPECIFICATIONS

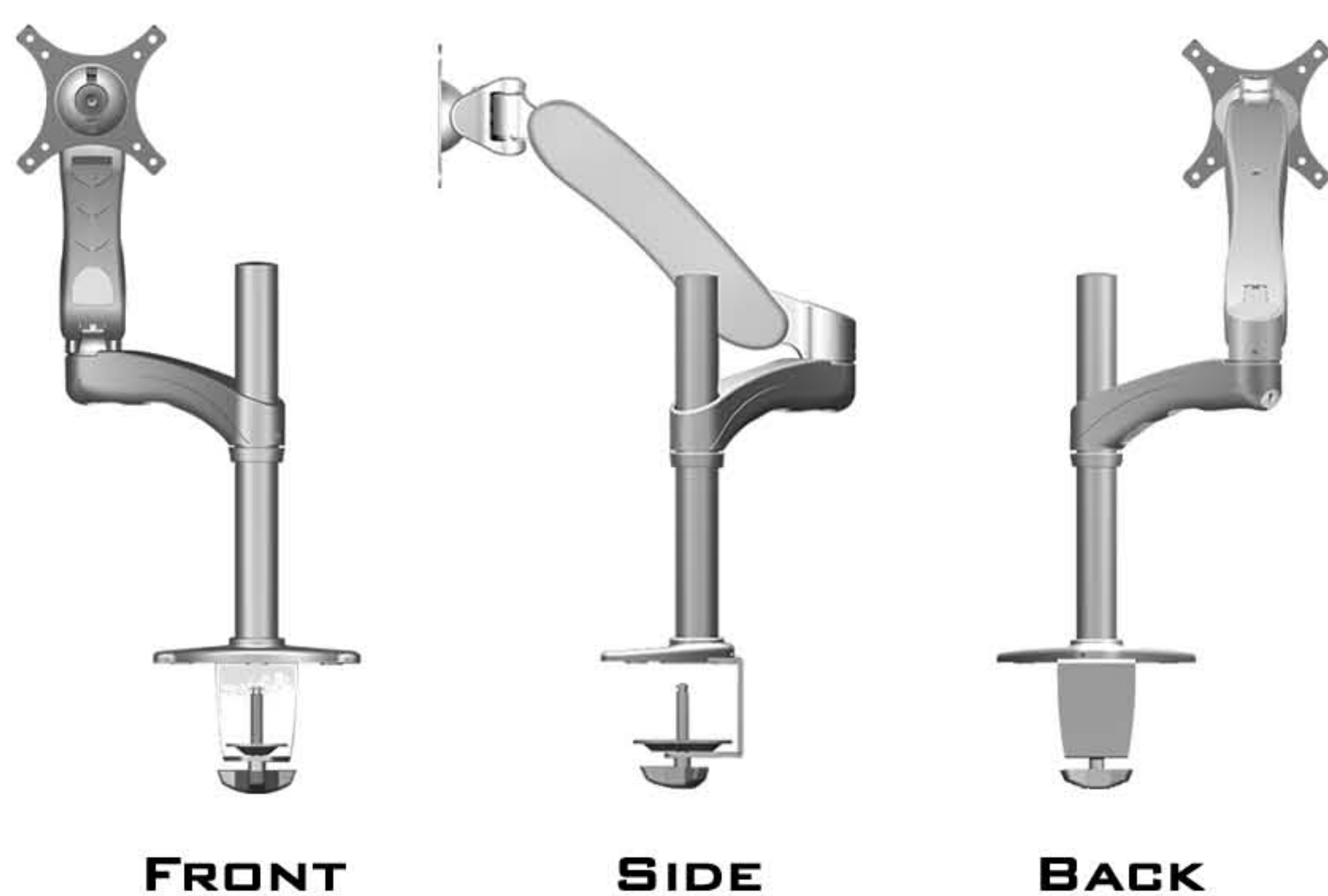
Compatibility	: 14" to 24" Flat Panel Monitor
Maximum load	: 9 KG (19.8 lbs)
VESA	: 75x75 & 100x100
Height Adjustment	: 327 mm (12.87")
Tilting Angle	: +/- 40 degree
Arm Rotation	: 360 Degree
Arm Length	: 600 mm (23.6")
Color	: Black



### KEY FEATURES

- Extended up to 560mm (22")
- c/w both Side Table Clamping / Grommet Clamping accessories
- Multi-directional adjustment for optimal viewing angle
- Smooth Tilt Adjustment and Extension
- Pre-assembled for ease of installation
- Designed to be mounted on various type of working table
- Strong Die-casting Aluminum Arm
- VESA compliance
- Installation hardware included
- Integrated cable management system

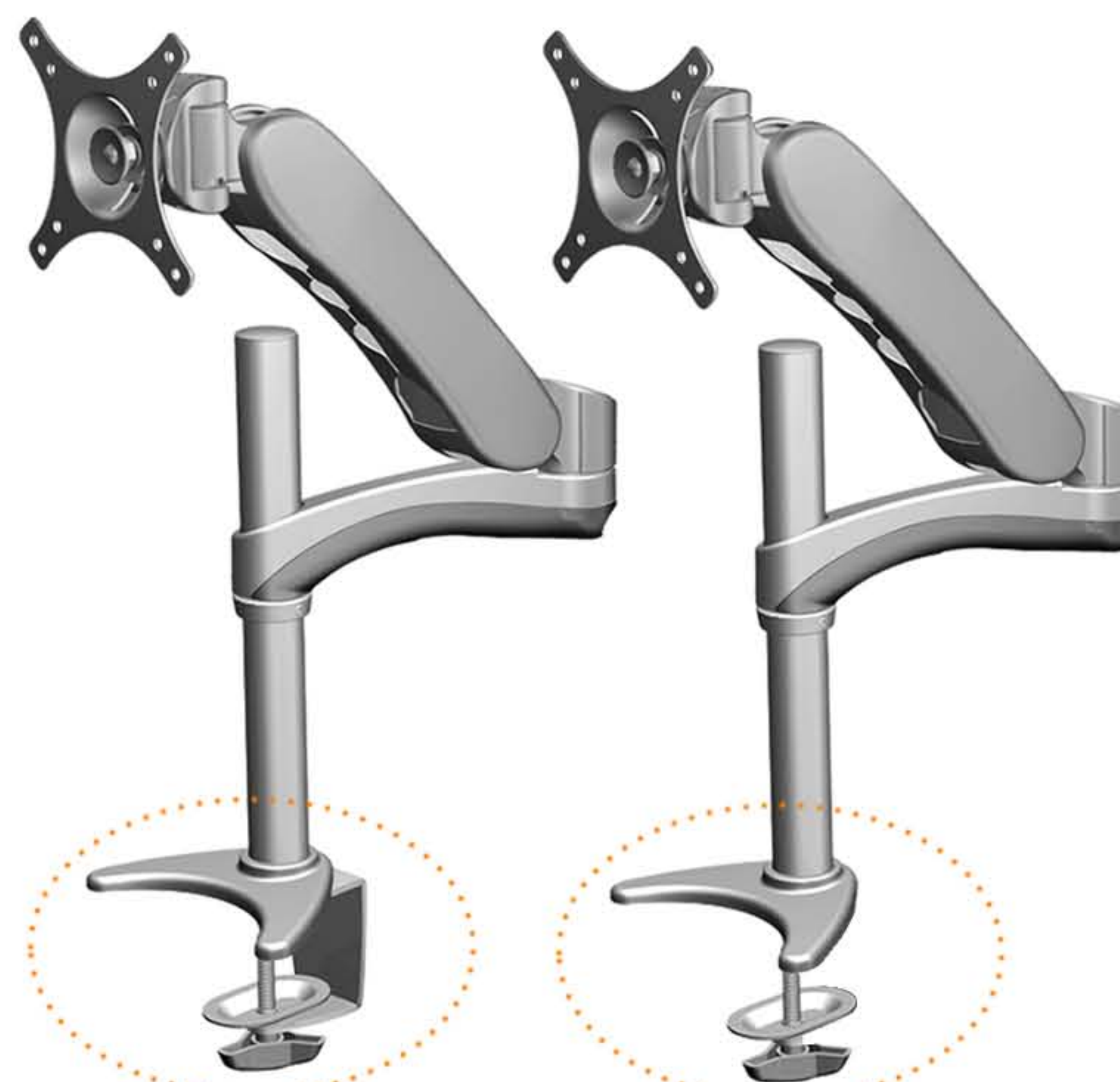
### VIEWING ANGLE



FRONT

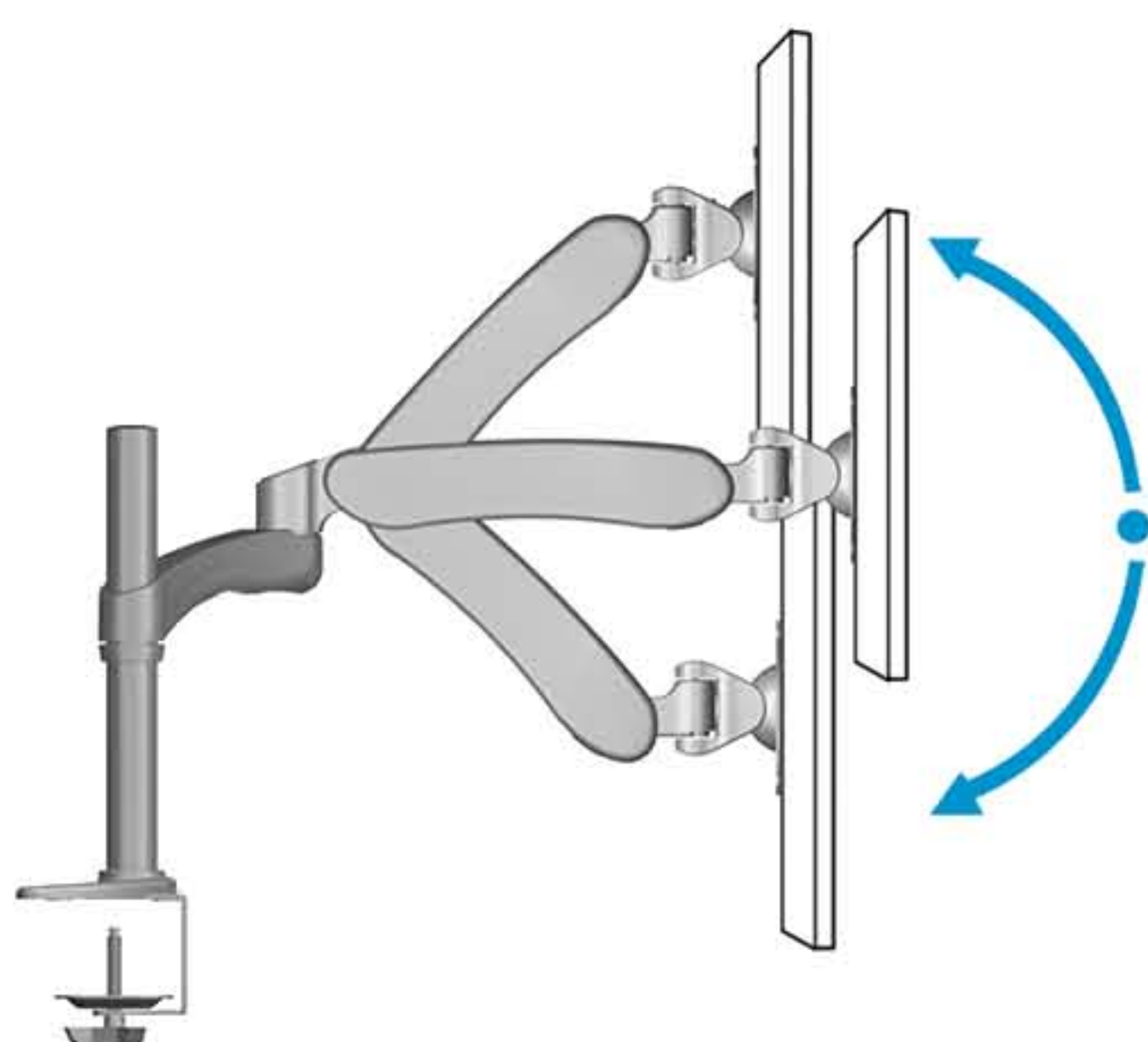
SIDE

BACK

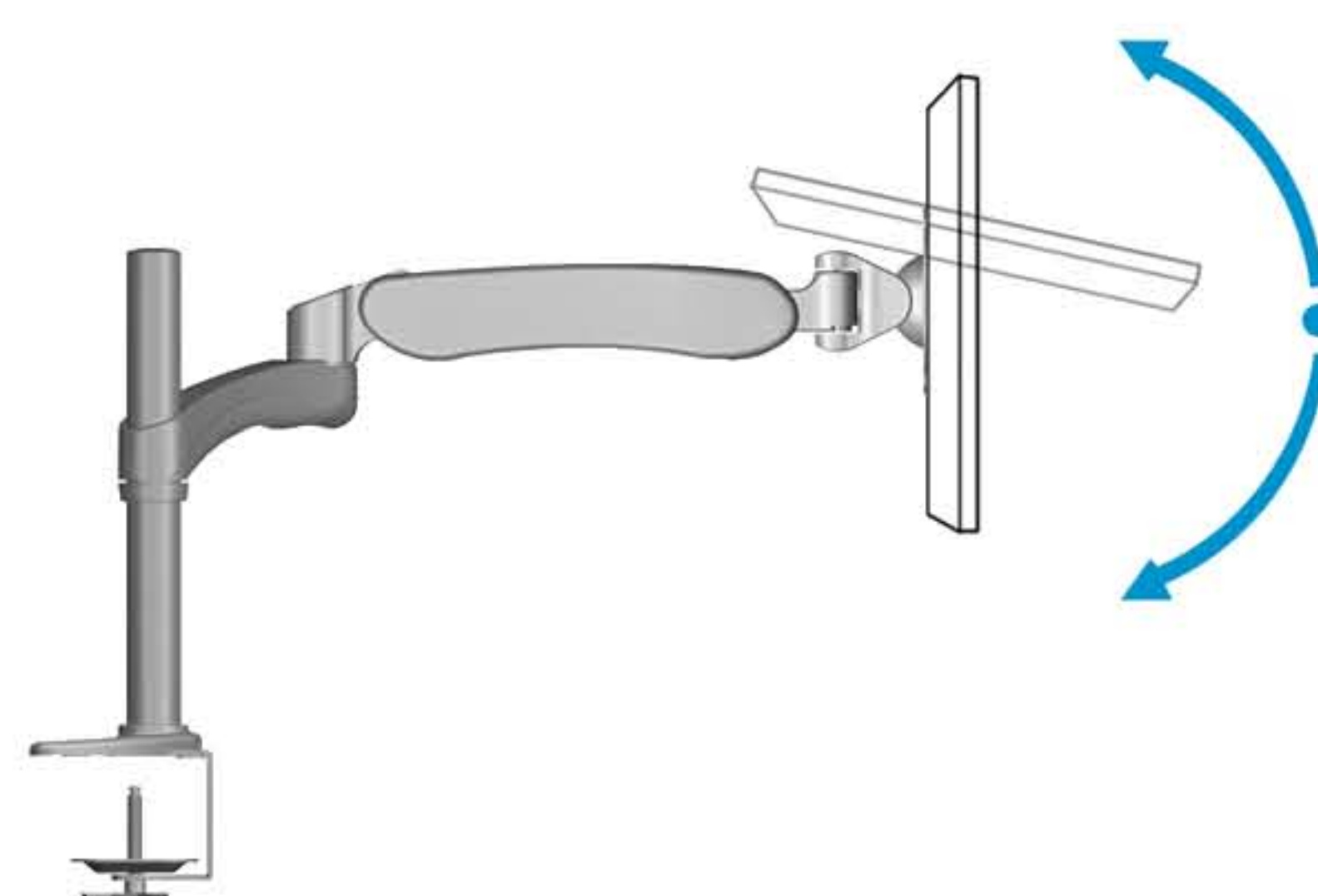


SIDE TABLE CLAMPING

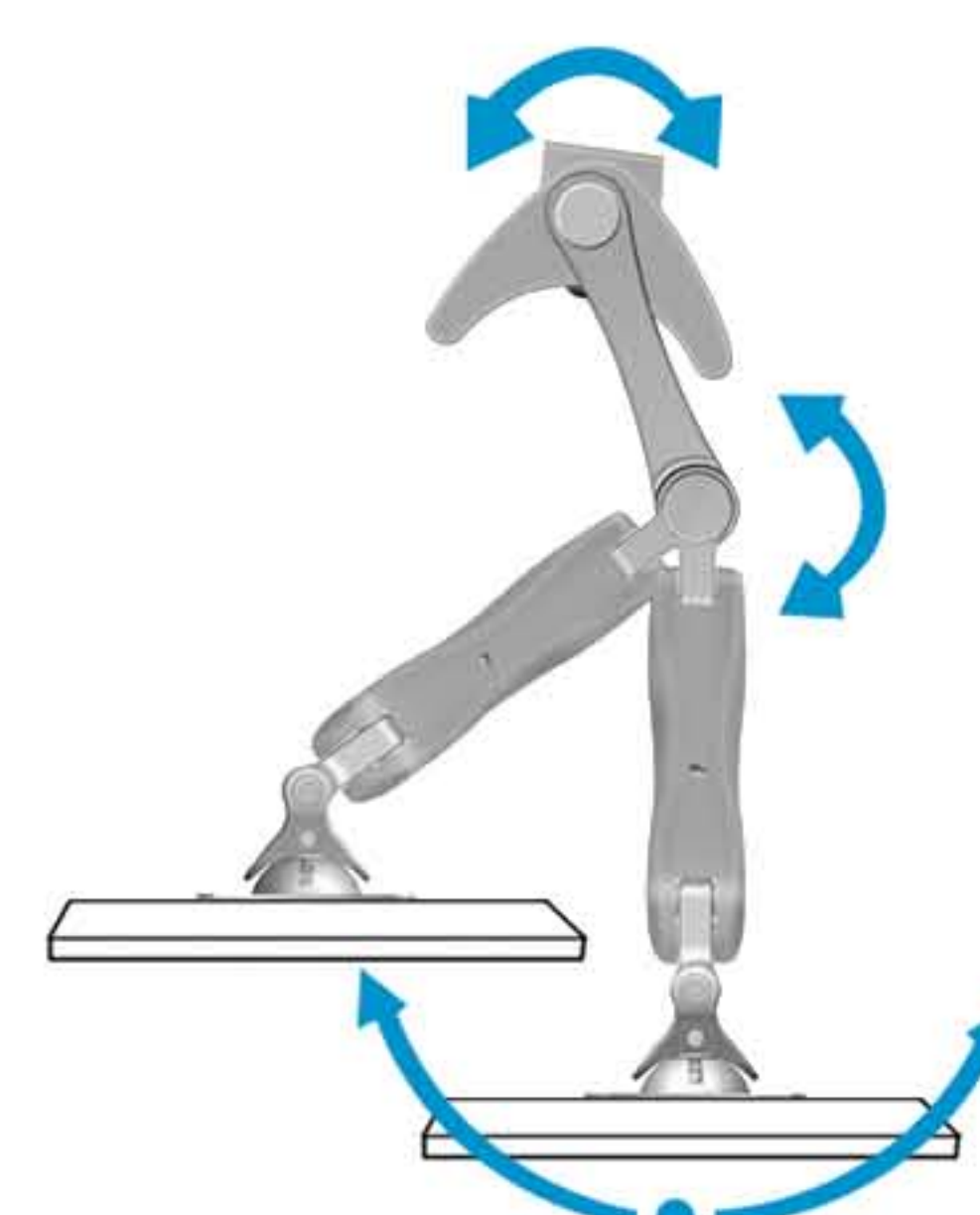
GROMMET CLAMPING



HEIGHT ADJUSTMENT




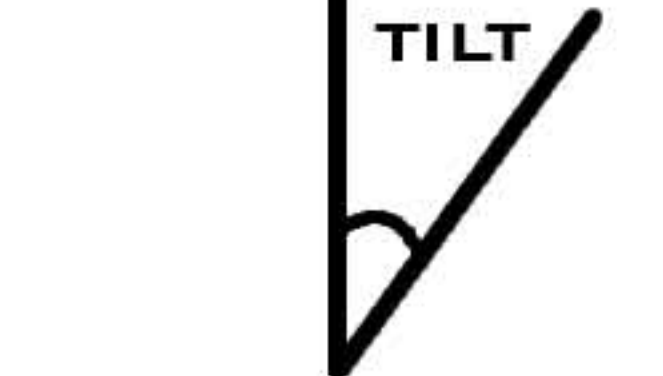
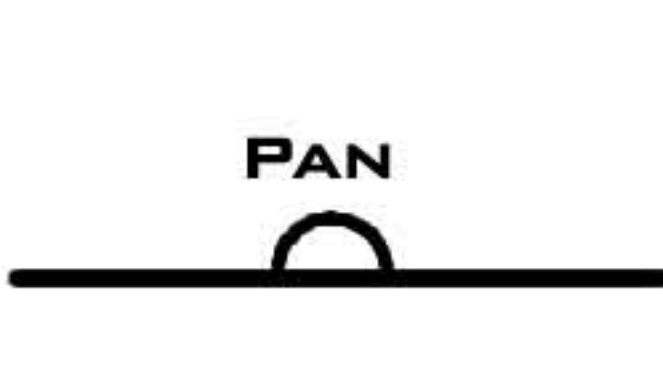
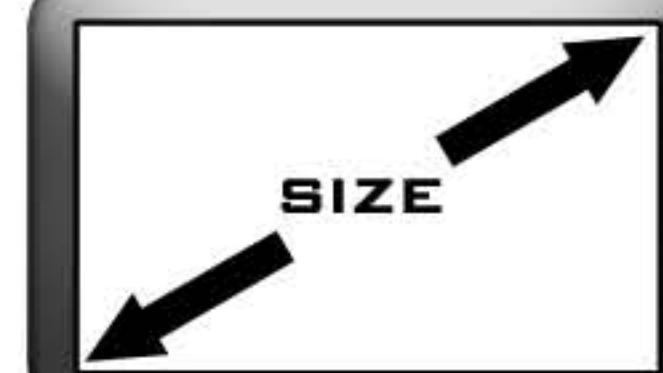
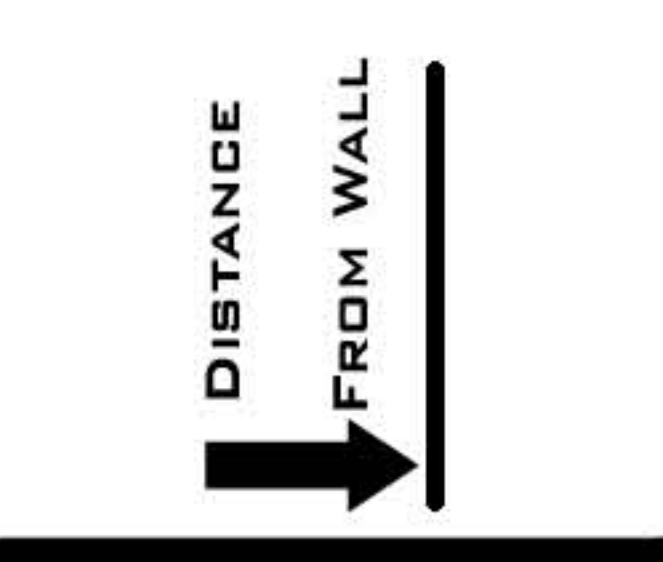
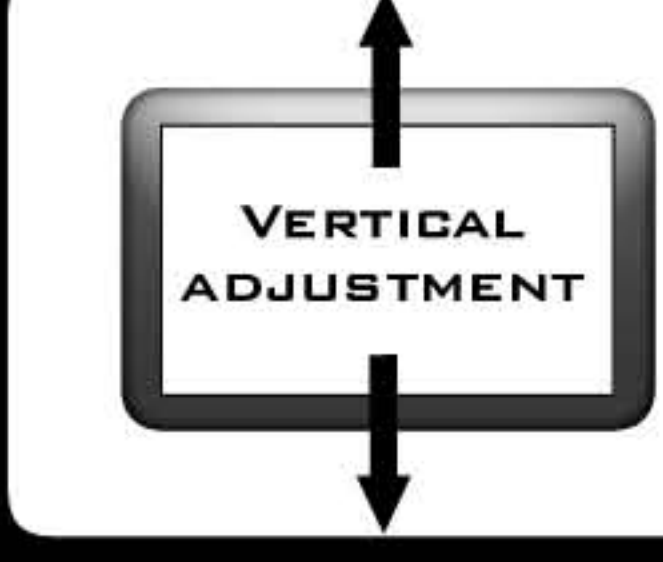



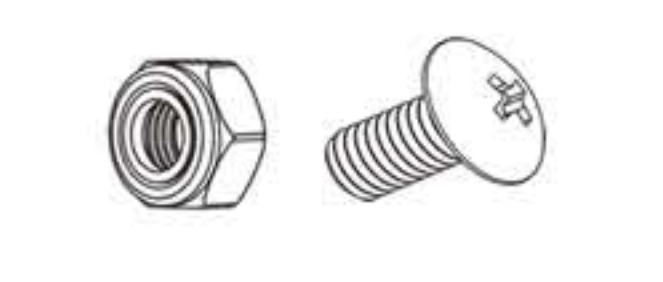

TILT



PAN AND SWIVEL

### (DMAG-600A)

### SPECIFICATIONS

 <b>LOAD</b>	 <b>TILT</b>
<b>9KG (19.8LBS)</b>	<b>-40 TO +40 DEGREE</b>
 <b>PAN</b>	 <b>SIZE</b>
<b>180 DEGREE</b>	<b>14" TO 24"</b>
 <b>DISTANCE FROM WALL</b>	 <b>VERTICAL ADJUSTMENT</b>
<b>N.A</b>	<b>AVAILABLE</b>
 <b>HORIZONTAL ADJUSTMENT</b>	 <b>ROTATE</b>
<b>AVAILABLE</b>	<b>N.A</b>
<b>VESA STANDARD</b> 75 x 75 100 x 100 200 x 100 200 x 200 400 x 200 600 x 400 800 x 400	 <b>COLOR</b>
<b>HIGH-LIGHTED</b>	<b>BLACK / SILVER</b>
 <b>HARDWARE</b>	 <b>CABLE MANAGEMENT</b>
<b>INCLUDED</b>	<b>AVAILABLE</b>

For General Information & Sales Enquires

OPTVIO PTE LTD

Block 20, Woodlands Link #08 - 11  
Woodlands East Industrial Estate  
Singapore 738733

Website: [www.optvio.com](http://www.optvio.com)  
Tel : (65) 62572029  
Fax : (65) 62575829



PRODUCT OF SINGAPORE

**DESK MOUNT ARTICULATING (DMA-600A)**

**DRAWING & DIMENSIONS**

