

FLAT PANEL FIXED MOUNT LARGE (OPT-WM-35F)

SPECIFICATIONS

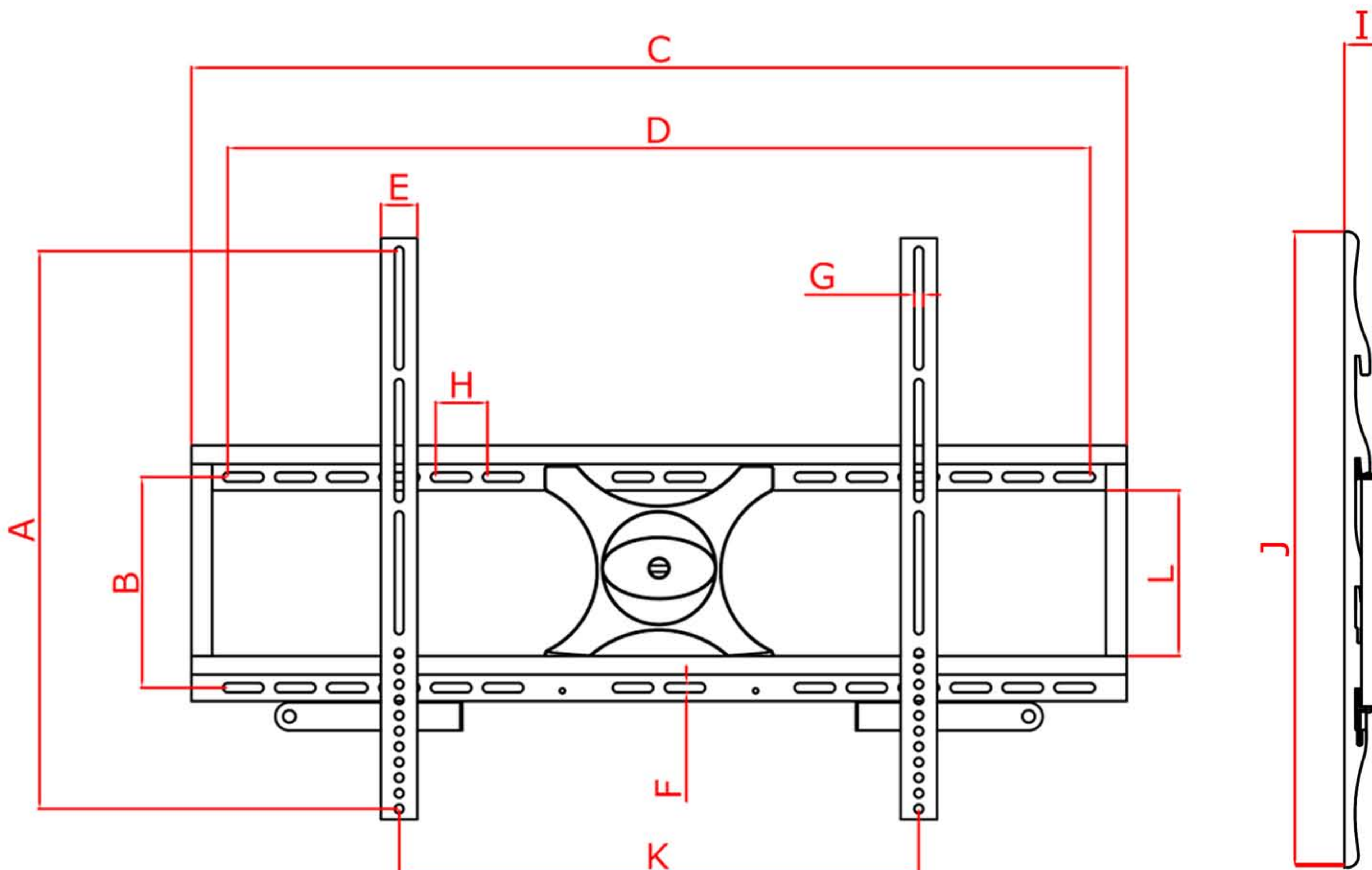
- Compatibility : 37" to 63" Flat Panel
- Maximum load : 100 KG (220 lbs)
- Mounting Profile : 31mm (1.22") from wall
- Color : Black
- Qty / Carton : 4 pcs



KEY FEATURES

- Extremely Flush Mount 31mm (1.22") between screen and wall
- Great flexibility and adaptability
- Pre-assembled for ease of installation
- Designed to be mounted on concrete or masonry wall
- VESA compliance
- Hardware included
- Comes with Bubble leveler

DRAWINGS & DIMENSIONS



Dimensions

Label	Value 1	Value 2
A	21.16"	537.50mm
B	7.99"	203mm
C	35.43"	900mm
D	32.87"	835mm
E	1.38"	35mm
F	0.43"	11mm
G	0.33"	8.5mm
H	1.97"	50mm
I	1.22"	31mm
J	22.05"	560mm
K	10-32.48"	254-825mm
L	6.28"	159.5mm

(OPT-WM-35F)

SPECIFICATIONS

100KG (220LBS)	0 DEGREE
N.A	37" TO 63"
31MM(1.22")	AVAILABLE
AVAILABLE	N.A
75 x 75 100 x 100 200 x 100 200 x 200 400 x 200 600 x 400 800 x 400	COLOR
HIGH-LIGHTED	BLACK
INCLUDED	N.A

For General Information & Sales Enquires

OPTVIO PTE LTD

Block 20, Woodlands Link #08 - 11
Woodlands East Industrial Estate
Singapore 738733

Website: www.optvio.com
Tel : (65) 62572029
Fax : (65) 62575829



PRODUCT OF SINGAPORE