

FLAT PANEL WALL MOUNT FURNITURE (OPT-WMF-100)

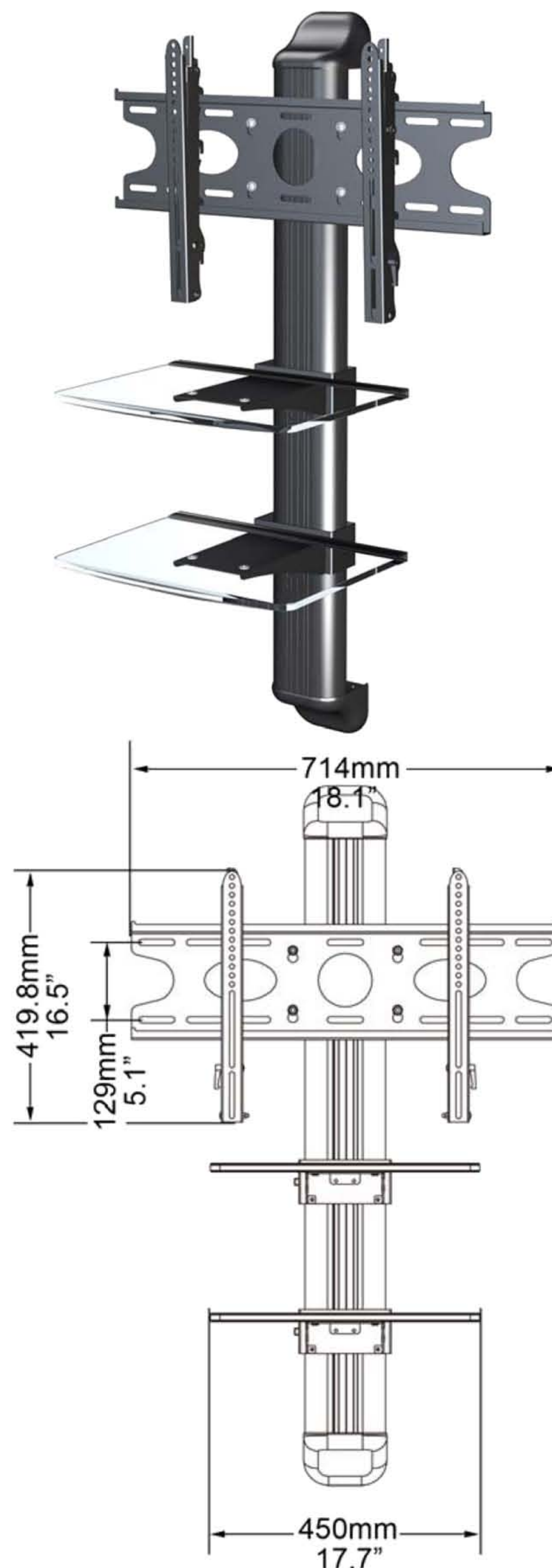
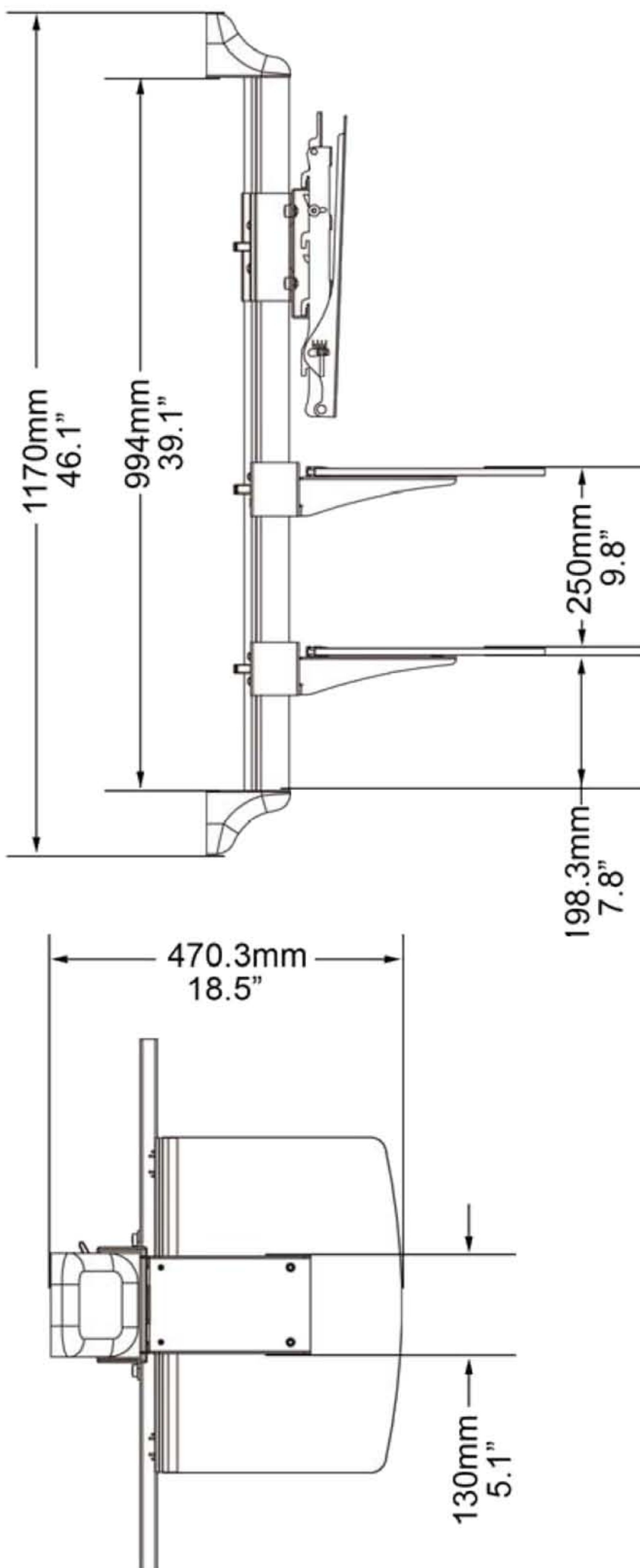
SPECIFICATIONS

- Compatibility : 37" to 50" Flat Panel
- Maximum load : 56.7 KG (125 lbs)
- Color : Black
- Tilting Angle : 0 to +20 degree

KEY FEATURES

- Aluminium Extrusion Pole
- Great flexibility and adaptability
- Adjustable Shelf for DVD player
- Fast disconnection for ease of maintenance
- Hardware included
- Integrated Cable Management
- "Clip-On" locking device

DRAWINGS & DIMENSIONS



(OPT-WMF-100)

SPECIFICATIONS

56.7KG (125LBS)	0 TO +20 DEGREE
N.A	37" TO 50"
N.A	ENTIRE POLE
AVAILABLE	N.A
VESA STANDARD 75 x 75 100 x 100 200 x 100 200 x 200 400 x 200 600 x 400 800 x 400	
HIGH-LIGHTED	BLACK
	CABLE MANAGEMENT
INCLUDED	AVAILABLE

For General Information & Sales Enquires

OPTVIO PTE LTD

Block 20, Woodlands Link #08 - 11
Woodlands East Industrial Estate
Singapore 738733

Website: www.optvio.com
Tel : (65) 62572029
Fax : (65) 62575829



PRODUCT OF SINGAPORE