

FLAT PANEL FIXED MOUNT MEDIUM (OPT-WM-25F)

SPECIFICATIONS

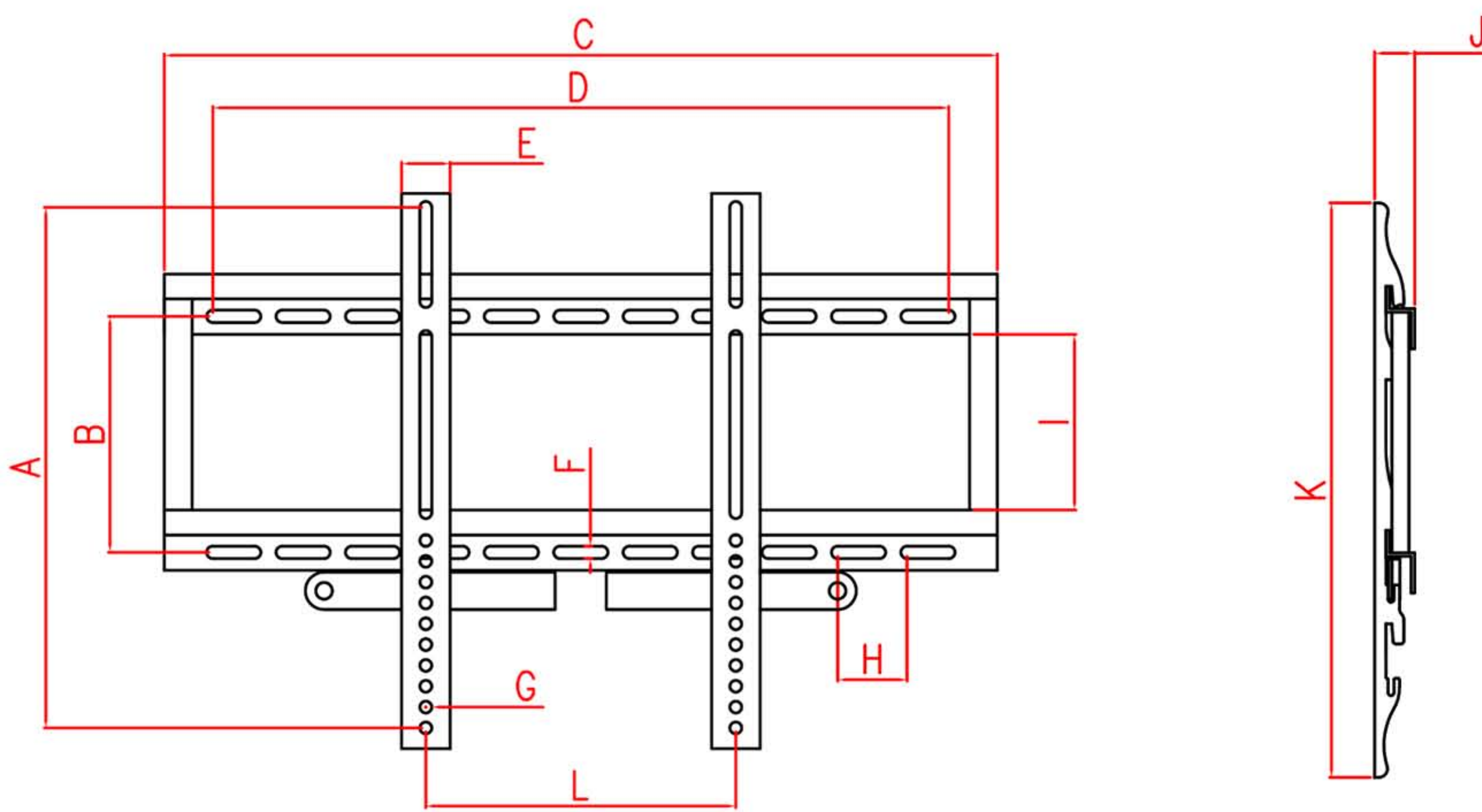
- Compatibility : 26" to 42" Flat Panel
- Maximum load : 50 KG (110 lbs)
- Mounting Profile : 28mm (1.1") from wall
- Color : Black
- Qty / Carton : 4 pcs



KEY FEATURES

- Extremely Flush Mount 28mm (1.1") between screen and wall
- Great flexibility and adaptability
- Pre-assembled for ease of installation
- Designed to be mounted on concrete or masonry wall
- VESA compliance
- Hardware included
- Comes with Bubble leveler

DRAWINGS & DIMENSIONS



Dimensions

Dimension	Value 1	Value 2
A	14.76"	375mm
B	6.69"	170mm
C	23.62"	600mm
D	20.87"	530mm
E	1.38"	35mm
F	0.35"	9mm
G	0.33"	8.5mm
H	1.97"	50mm
I	4.98"	126.5mm
J	1.10"	28.00mm
K	15.75"	400mm
L	2.95-20.66"	75-525mm

(OPT-WM-25F)

SPECIFICATIONS

50KG (110LBS)	0 DEGREE
N.A	26" TO 42"
28MM(1.1")	AVAILABLE
AVAILABLE	N.A
75 x 75 100 x 100 200 x 100 200 x 200 400 x 200 600 x 400 800 x 400	COLOR
HIGH-LIGHTED	BLACK
INCLUDED	N.A

For General Information & Sales Enquires

OPTVIO PTE LTD

Block 20, Woodlands Link #08 - 11
Woodlands East Industrial Estate
Singapore 738733

Website: www.optvio.com
Tel : (65) 62572029
Fax : (65) 62575829



PRODUCT OF SINGAPORE